

Setting Your New Pass-codes

The original Password of the bag lock is "000"-3 zeros

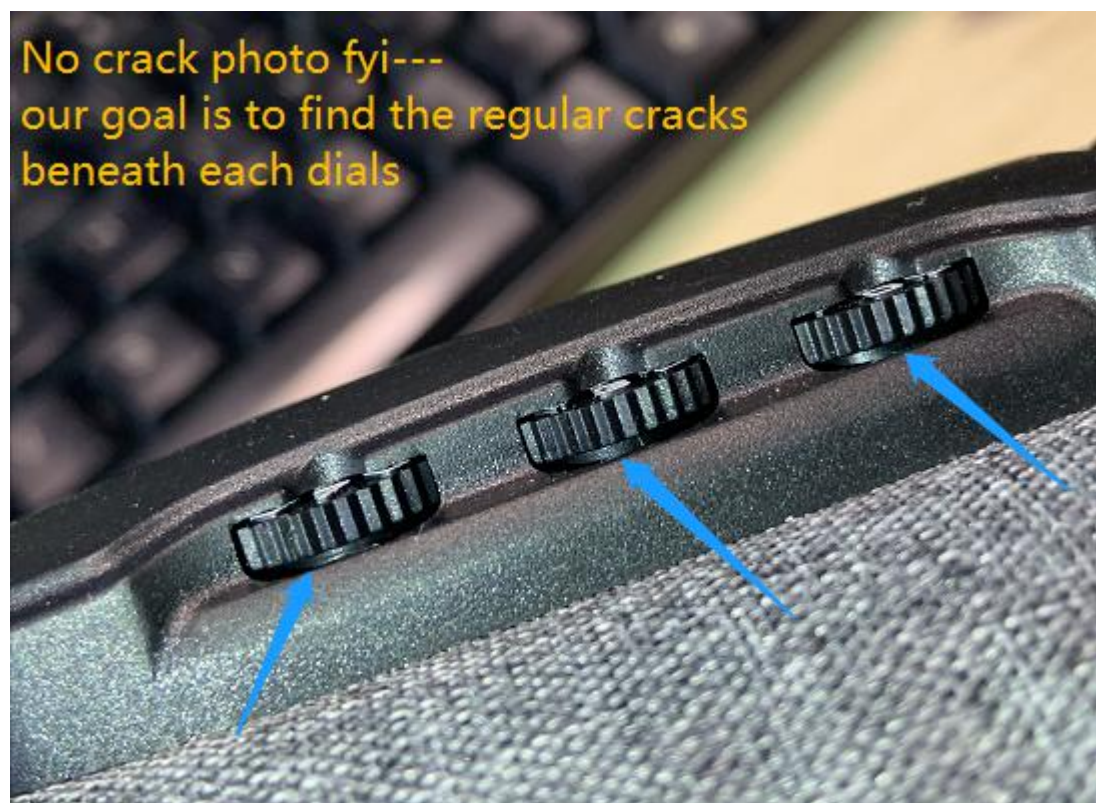
Lock UnLock Reboot Pass-codes Steps

- Prepare a flash light
- or turn on the backlight on your cellphone

Step-1

Flip the bag and look from the bottom of the combination lock, beneath each number dial, there is a small regular crack.

(Attention! the crack is very very small and you might not be able to find it on the first attempt, use the flash light and keep rolling the all dials few times, you will see it)



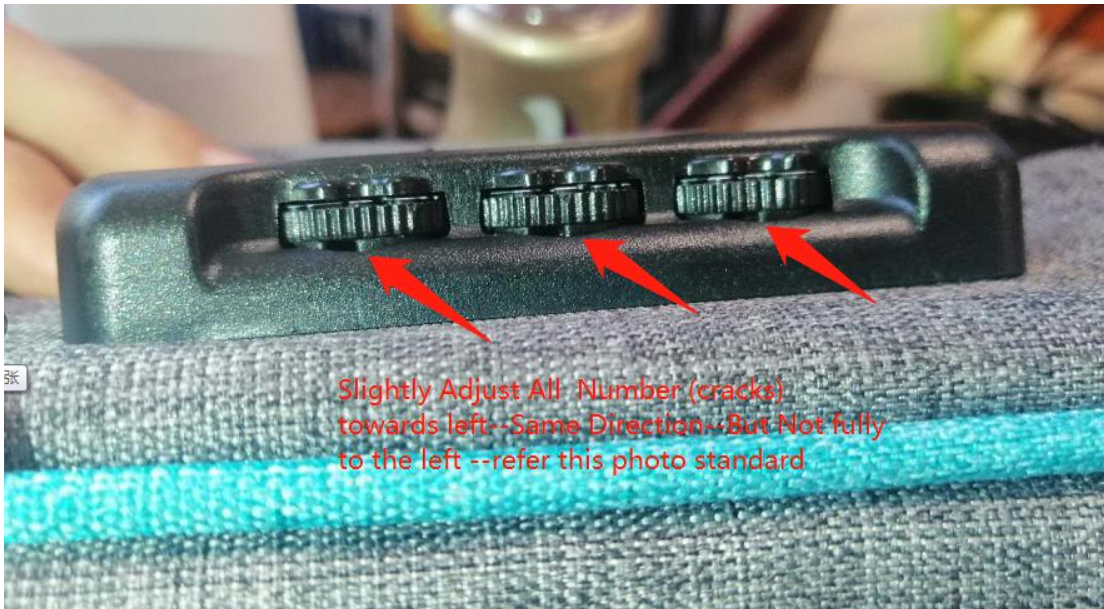


Cracks beneath each dials look as below
need to find each slowly and patiently.

you might not be able to find on the 1st attempt,
please do it slowly.

Step-2

Slightly adjust the 3 number dial (cracks direction) towards the left side,
not a full left turn-refer photo standard



Step-3

Now Write down the current 3 digits you see from the bag on a paper

e.g. now 9-5-2



Step-4

Minus 2 on each digits, Equals to 7-3-0,

$$9-2=7$$

$$5-2=3$$

$$2-2=0$$

$$1-2=11-2=9 (1 \rightarrow 9)$$

$$2-2=0(2 \rightarrow 0)$$

$$3-2=1(3 \rightarrow 1)$$

$$4-2=2(4 \rightarrow 2)$$

$$5-2=3(5 \rightarrow 3)$$

$$6-2=4(6 \rightarrow 4)$$

$$7-2=5(7 \rightarrow 5)$$

$$8-2=6(8 \rightarrow 6)$$

$$9-2=7(9 \rightarrow 7)$$

$$1(0)-2=8(0 \rightarrow 8)$$

Now your Bag should be unlock successfully!



Step-5

that is the new unlock digits for the bag.

and then follow the instructions to reset you own new pass codes.

INSTRUCTIONS

The original number is 0-0-0. To set your personal combination, follow these steps:

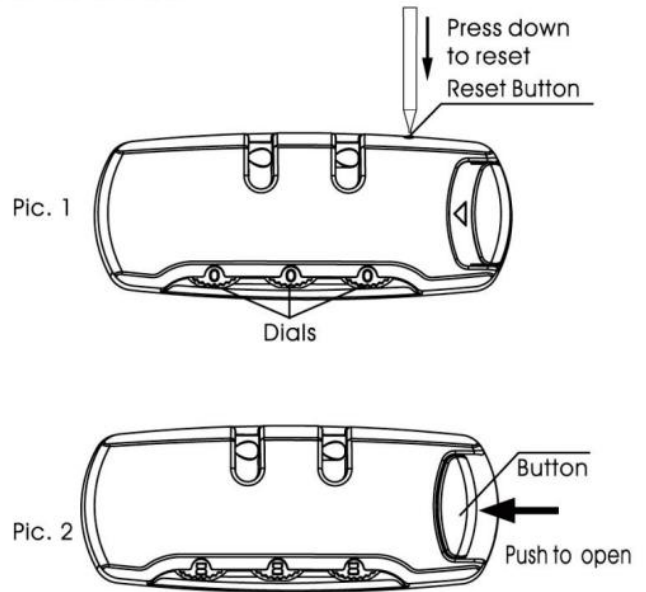
1. Put the dials at its original numbers 0-0-0;
2. Press down the reset button(a) with a tool until hear the "click" sound. (as per pic.1)
3. Set your combination by turning the dials(b) ,for example 8-8-8. Then,
4. Push the button(c) towards to the direction of arrow (as per pic.2) and the reset button(a) will be back when you hear the "Click" sound

Now you have finished setting your personal combination.

Please remember it by heart.

Please repeat the above steps to reset the numbers.

Forgot your Password?



Please Contact Customer Service
support@ozchin.com

Step-6

Apply this method to recover pass-code if forget again.